

QPD2-10000-43000-20-K

2-Way, 10~43GHz

Features:
 * Small Size
 * Low Insertion Loss

Applications:
 * Amplifiers
 * Mixers
 * Antennas
 * Laboratory Test

Electrical

Frequency:	10~43GHz
Insertion Loss:	1.3dB max.
Input VSWR:	1.6 max.
Output VSWR:	1.6 max.
Isolation:	12dB min.
Amplitude Balance:	0.4dB max.
Phase Balance:	±5°
Impedance:	50Ω
Average Power:	20W max. 1W max. as combiner

Mechanical

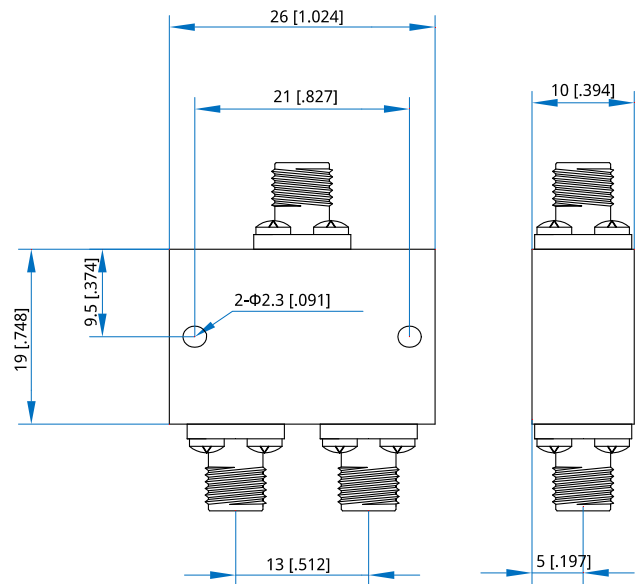
Size*1:	26*19*10mm 1.024*0.748*0.394in
Weight:	21g
Connectors:	2.92mm Female (Stainless steel)
Mounting:	2-Φ2.3mm through-hole

[1] Exclude connectors.

Environmental

Operation Temperature:	-45~+85°C
------------------------	-----------

Outline Drawings



Unit: mm [in]
 Tolerance: ±0.3mm [±0.012in]

How To Order

QPD2-10000-43000-20-K

Customization is available upon request.